

PROG. NAME

MATERIAL

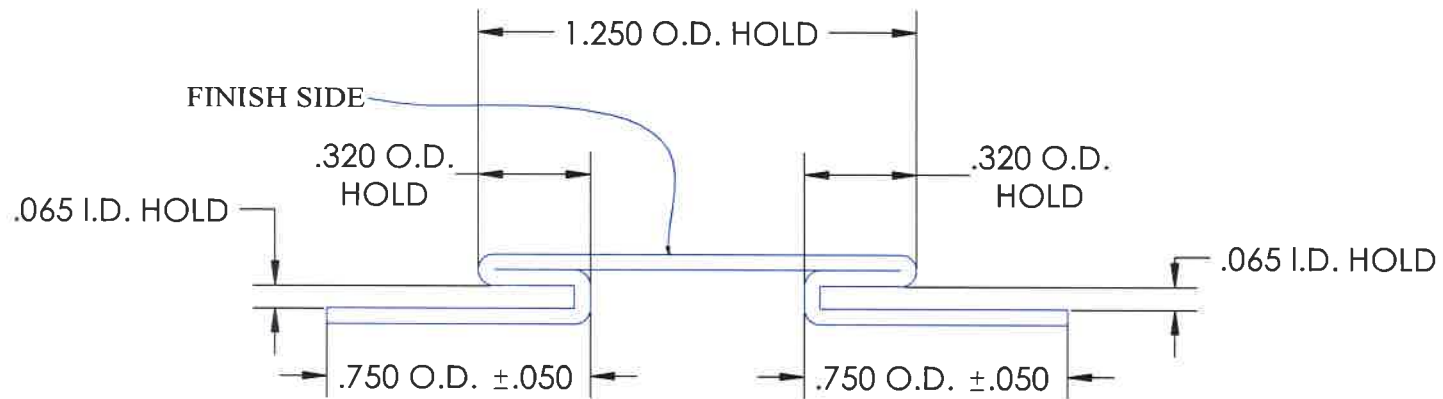
FLAT

BLANK

PROG#

***VERIFY BLANK SIZE
BEFORE FORMING!**

**NOTE: USE SPECIAL
PRESS BRAKE TOOLING.**



END PROFILE

(Part Is 96" Long)

FABRICATION DRAWING

PART#	MATERIAL (SUPP. BY CLADREX)	BLANK SIZE SUPPLIED:	MATERIAL TO ACCOMODATE	GAP	SHIM TO BE USED:
FADIVIDER7023	.032 ALUM. W/.006 VINYL "PLATINUM APPLITEX"	3.335" x 96"	.050 + .008/.010 VINYL (.058-.060)	.065	16GA.

PROPRIETARY AND CONFIDENTIAL
WARNING: The design/information
contained in this drawing is the exclusive property
of Chicago Metal Fabricators
and is protected under the
copyright laws of the United
States and other countries. All
persons to whom this drawing
is displayed agree that they will
not make any use of, or disclose
to any third party the
design/information without
the express written consent
of Chicago Metal Fabricators.
Any unauthorized
use of this design/information
from this drawing may
constitute a violation of the
United States Copyright Act.



901 Greenleaf Ave.
Elk Grove Village, IL 60007
Phone 847-431-2010
Fax 847-679-8376

STANDARD TOLERANCES (U.N.O)

XXX ±.015
XX ±.030
HOLES ±.005
ANGLES ± 1°
MAX BURR .002



**** MAY BE SUPERCEDED BY CUSTOMER REQUIREMENTS. ****

PART#

FADIVIDER7023

DESC **Division Strap - Platinum Applitex**

PROJECT/ASSY

CUST **Clad-Rex**

WEIGHT:

CREATED **2/22/2021** BY

LAST SAVED **Tuesday, March 16, 2021 6:36:31 AM**

BY **mkozak**

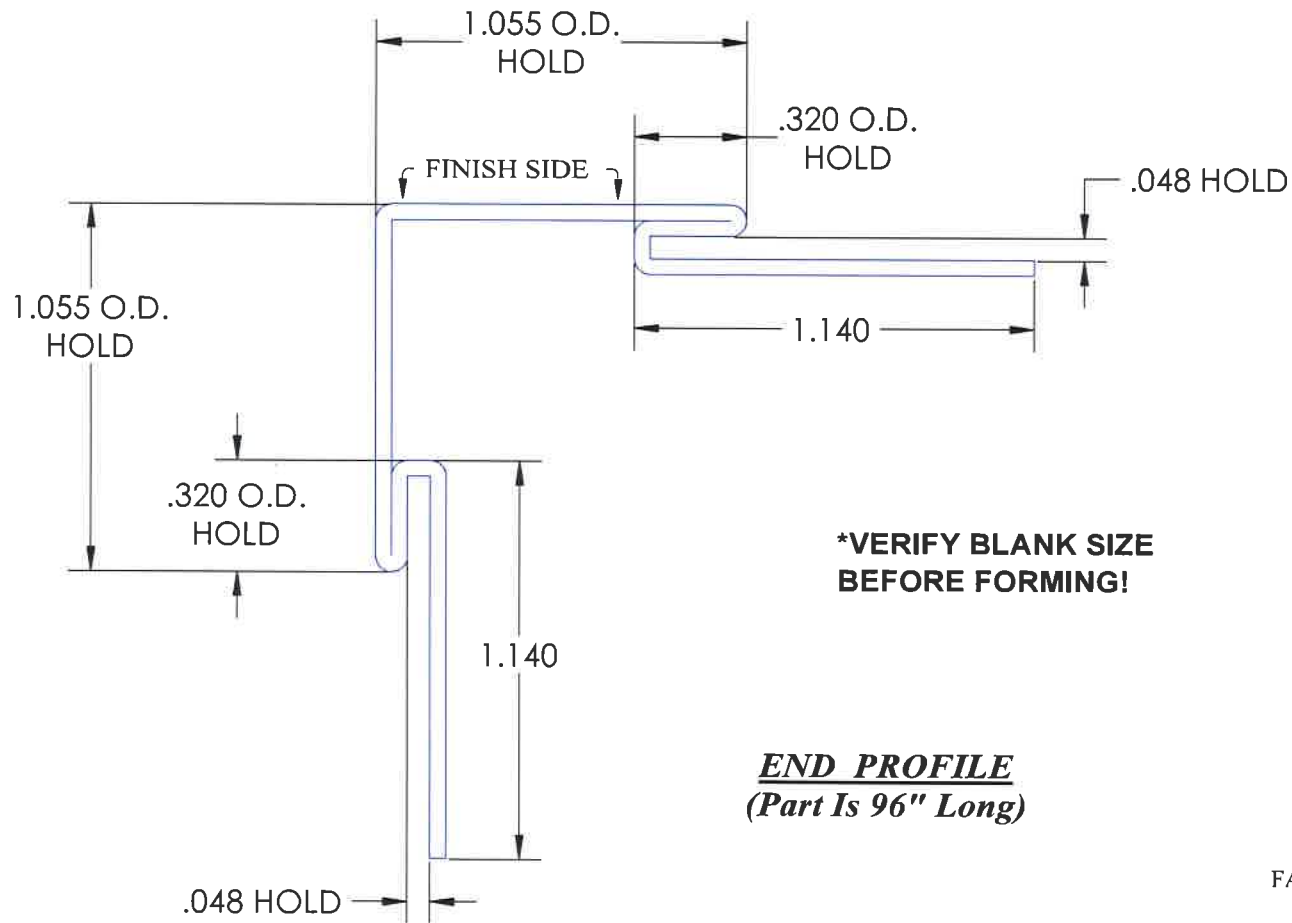
PROG. NAME

MATERIAL

FLAT

BLANK

PROG#



NOTE: USE SPECIAL PRESS BRAKE TOOLING.

***VERIFY BLANK SIZE BEFORE FORMING!**

END PROFILE
(Part Is 96" Long)

FABRICATION DRAWING

PART#	MATERIAL (SUPP. BY CLADREX)	BLANK SIZE SUPPLIED:	MATERIAL TO ACCOMMODATE	GAP	SHIM TO BE USED:
FAOSCORNER7023	.032 ALUM. W/.006 VINYL "PLATINUM APPLITEX"	5.045" x 96"	.032 THK + .006 VINYL (.038)	.048	18GA.

PROPRIETARY AND CONFIDENTIAL
 WARNING: The design/engineering information contained in this drawing is the exclusive property of Chicago Metal Fabricators and is protected under the copyright laws of the United States and other countries. All persons to whom this drawing is displayed agree that they will not make any use of or disclose to any third party this design/engineering without the express written consent of Chicago Metal Fabricators. Any unauthorized use of this design/engineering from this drawing may constitute a violation of the United States Copyright Act.



901 Greenleaf Ave
 Elk Grove Village, IL 60007
 Phone 847-421-2310
 Fax 847-475-5374

STANDARD TOLERANCES (U.N.O.)

XXX ± .015
 XX ± .030
 HOLES ± .005
 ANGLES ± 1°
 MAX BURR .002



** MAY BE SUPERCEDED BY CUSTOMER REQUIREMENTS. **

PART#

FAOSCORNER7023

DESC. Outside Corner - Platinum Applitex

PROJECT/ASSY

CUST Clad-Rex

WEIGHT:

CREATED 2/22/2021 BY

LAST SAVED Tuesday, March 16, 2021 9:10:24 AM

BY mkozak

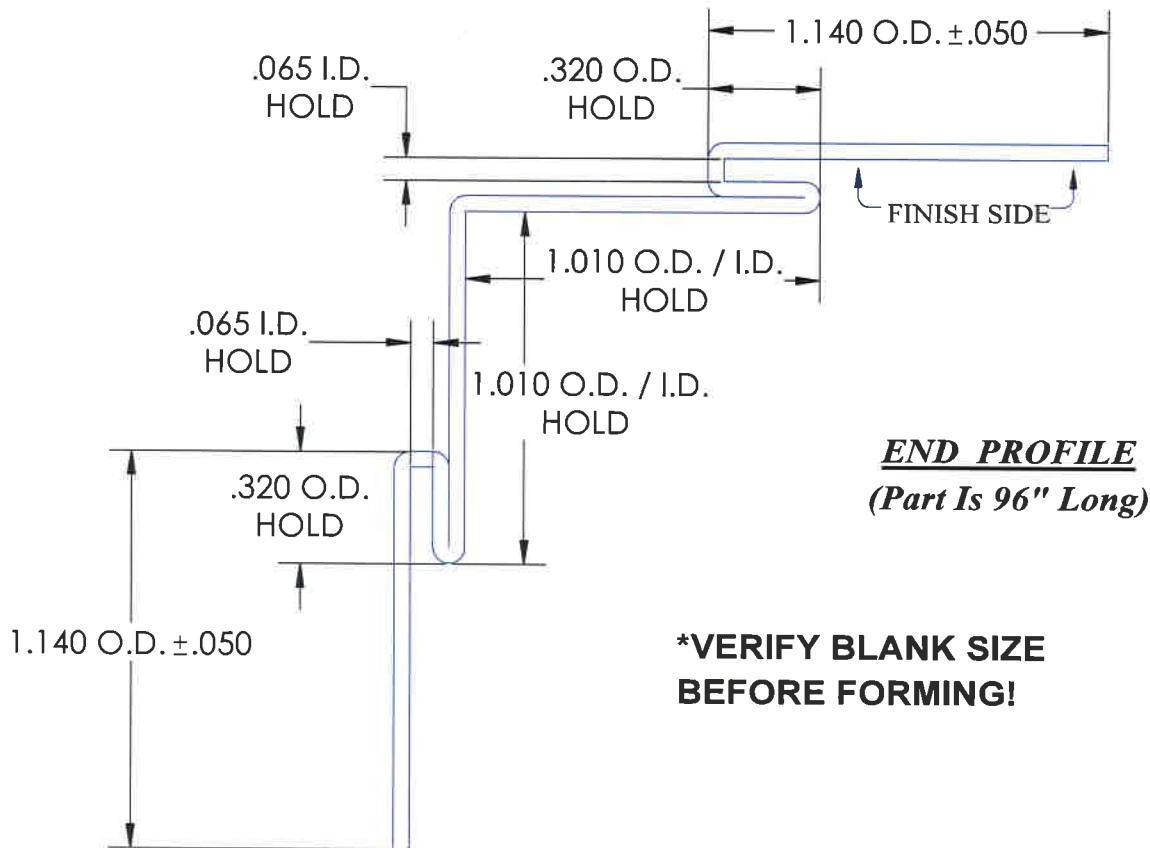
PROG. NAME

MATERIAL

FLAT

BLANK

PROG#



NOTE: USE SPECIAL PRESS BRAKE TOOLING.

END PROFILE
(Part Is 96" Long)

***VERIFY BLANK SIZE BEFORE FORMING!**

FABRICATION DRAWING

PART#	MATERIAL (SUPP. BY CLADREX)	BLANK SIZE SUPPLIED:	MATERIAL TO ACCOMODATE	GAP	SHIM TO BE USED:
FAISCORNER7023	.032 ALUM W/ .006 VINYL "PLATINUM APPLITEX"	5.045" x 96"	.050 + .008/ .010 VINYL (.058-.060)	.065	16GA.

PROPRIETARY AND CONFIDENTIAL
WARNING: The design/engineering information contained in this drawing is the exclusive property of Chicago Metal Fabricators and is protected under the copyright laws of the United States and other countries. All persons to whom this drawing is displayed agree that they will not make any use of, or disclose to any third party this design/engineering without the express written consent of Chicago Metal Fabricators. Any unauthorized use of this design/engineering from this drawing may constitute a violation of the United States Copyright Act.



901 Greenleaf Ave
Eli Cottle Village, IL 60007
Phone 847-451-2010
Fax 847-451-2018

STANDARD TOLERANCES (U.N.O.)

XXX ± 015
XX ± 030
HOLES ± 005
ANGLES ± 1°
MAX BURR .002



** MAY BE SUPERCEDED BY CUSTOMER REQUIREMENTS **

PART#

FAISCORNER7023

DESC Inside Corner - Platinum Applitex

PROJECT/ASSY

CUST Clad-Rex

WEIGHT:

CREATED 2/19/2021 BY

LAST SAVED Tuesday, March 16, 2021 7:38:16 AM

BY mkozak