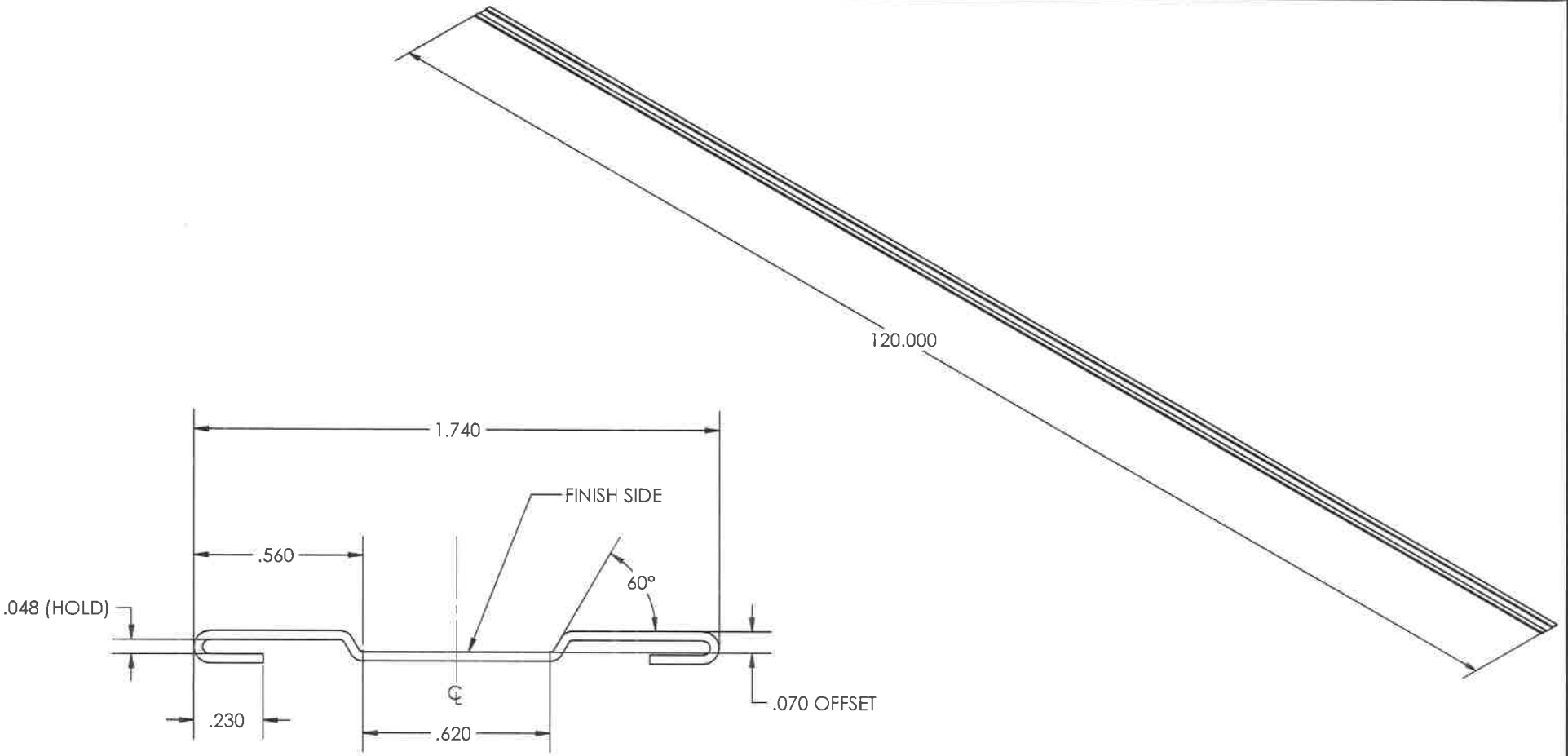


PROG NAME -	MATERIAL -	FLAT - 2.278 X 120.000	BLANK -	PROG# -
----------------	---------------	---------------------------	------------	------------





PART IS SYMMETRICAL ABOUT CENTER LINE

MATERIAL: .024 ALUMINUM WITH VINYL FINISH  
(CUSTOMER SUPPLIED)

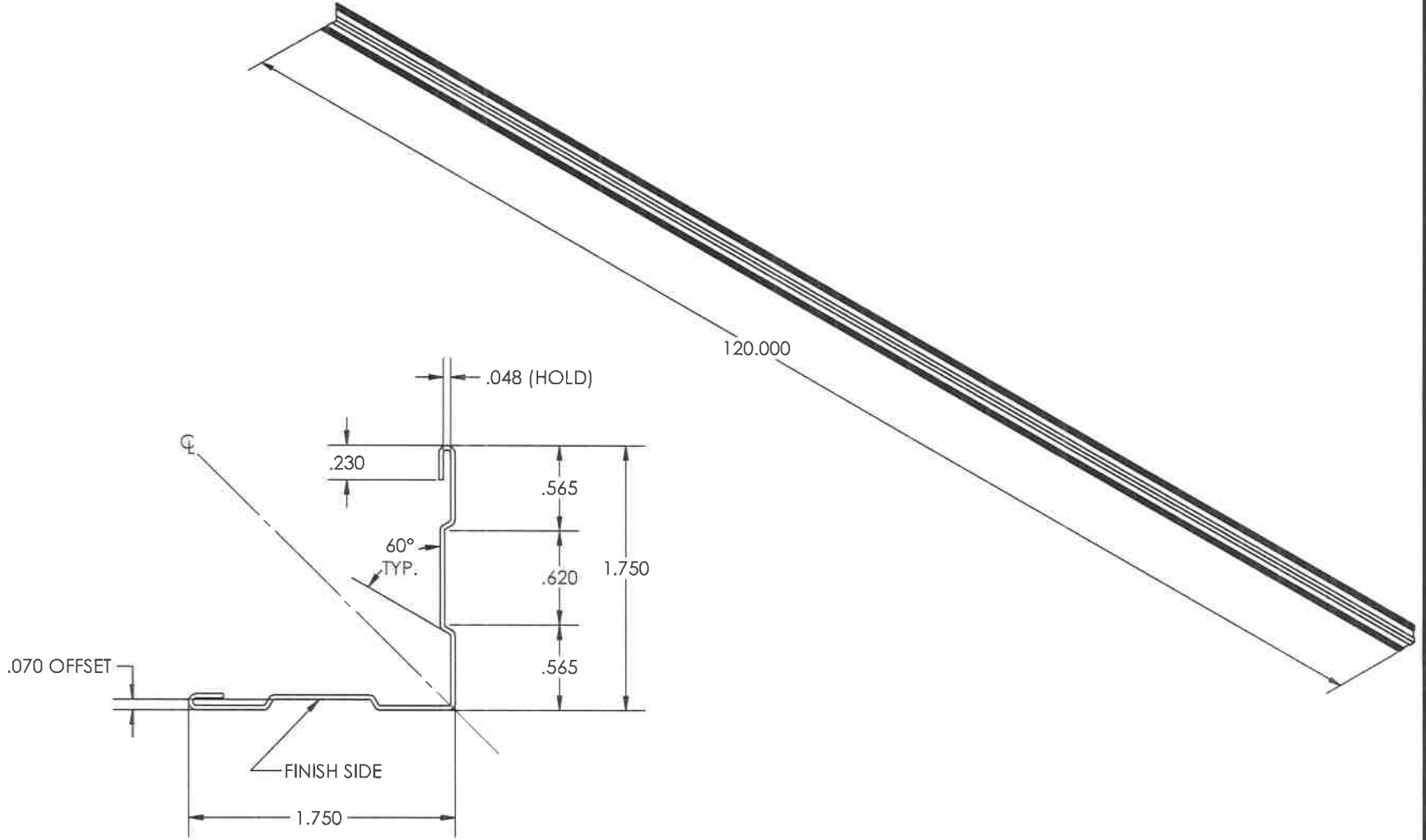
*B Emery*  
*11/20/19*

(PROPRIETARY AND CONFIDENTIAL)  
WARNING: The design/engineering information contained in this drawing is the exclusive property of Chicago Metal Fabricators and is protected under the copyright laws of the United States and other countries. All persons to whom this drawing is disclosed agree that they will not make any use of or disclose to any third party this design/engineering without the express written consent of Chicago Metal Fabricators. Any unauthorized use of this design/engineering from this drawing may constitute a violation of the United States Copyright Act.

		801 Greenleaf Ave Elk Grove Village, IL 60007 Phone 847-691-0010 Fax 847-979-8376
<b>STANDARD TOLERANCES (U.N.O.)</b>		
XXX	± 015	
XX	± 030	
HOLES	± 005	
ANGLES	± 1°	
MAX BURR	002	
<b>** MAY BE SUPERCEDED BY CUSTOMER REQUIREMENTS **</b>		

PART#		<b>F-TDIV 024X120 PEARL</b>	
DESC TYPICAL DIVIDER			
PROJECT/ASSY -			
CUST CLAD-REX		WBIGHT: 2.330 lbs	
CREATED 7/12/2018	BY JK	LAST SAVED	Wednesday, November 20, 2019 8:45:14 AM BY (tjrhj)

PROG. NAME -	MATERIAL -	FLAT -	4.029 X 120	BLANK -	PROG# -
-----------------	---------------	-----------	-------------	------------	------------



PART IS SYMMETRICAL ABOUT CENTER LINE

MATERIAL: .024 ALUMINUM WITH VINYL FINISH  
(CUSTOMER SUPPLIED)

*B Emery* 11/20/19

PROPRIETARY AND CONFIDENTIAL  
WARNING: The design/engineering information contained in this drawing is the exclusive property of Chicago Metal Fabricators and is protected under the copyright laws of the United States and other countries. All persons to whom this drawing is displayed agree that they will not make any use of, or disclosure to any third party of, the design/engineering without the express written consent of Chicago Metal Fabricators. Any unauthorized use of this design/engineering from this drawing may constitute a violation of the United States Copyright Act.



901 Greenleaf Ave  
Eli Grove Village IL 60007  
Phone 847-621-2010  
Fax 847-679-8376

STANDARD TOLERANCES (U.N.O.)

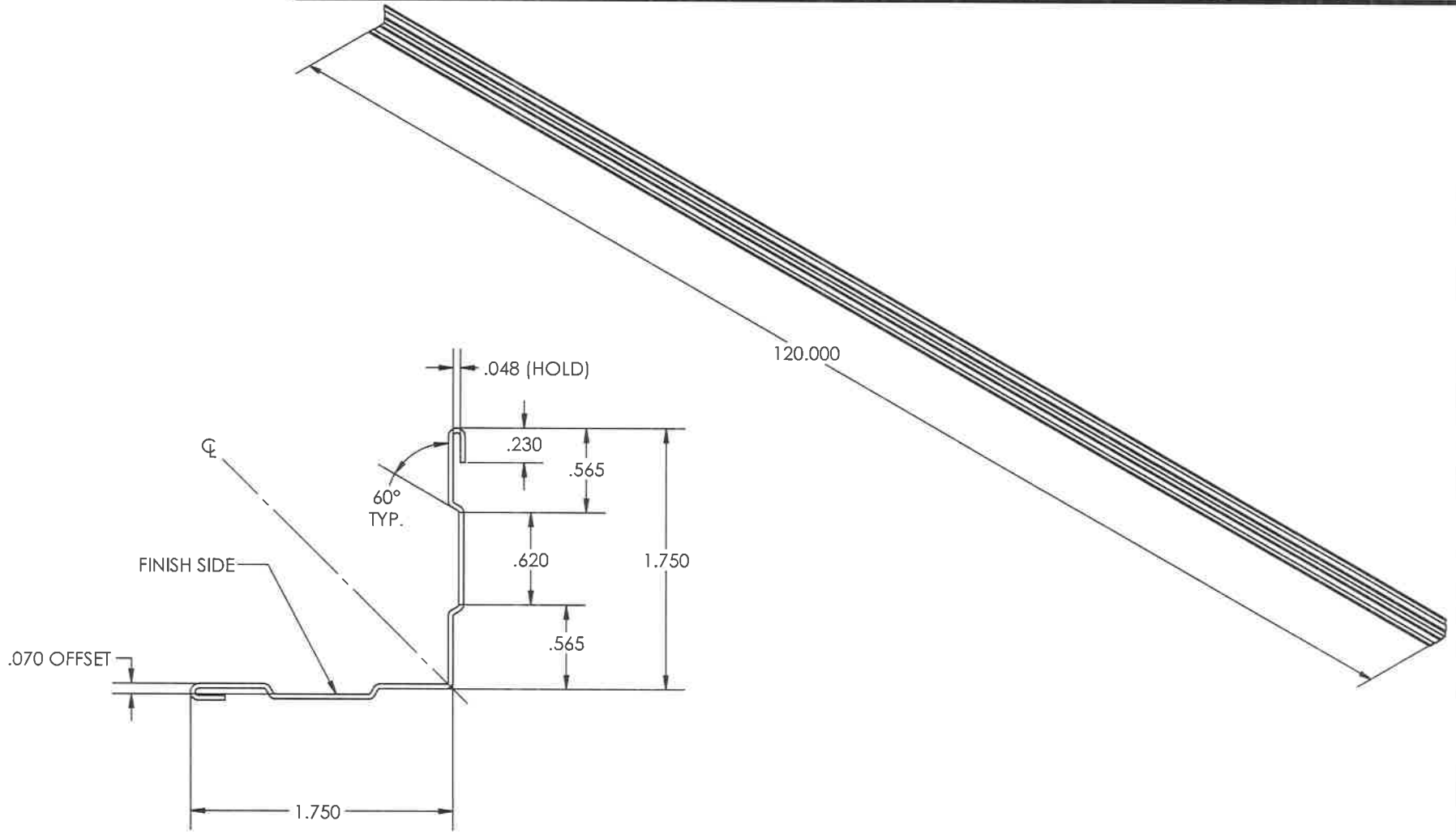
XXX	± 015
XX	± 030
HOLES	± 005
ANGLES	± 1°
MAX BURR	.002



\*\* MAY BE SUPERCEDED BY CUSTOMER REQUIREMENTS \*\*

PART#	F-TOC 024X120 PEARL		
DESC	TYPICAL OUTSIDE CORNER		
PROJECT/ASSY	-		
CUST	CLAD REX	WEIGHT:	4.141 lbs
CREATED	7/12/2018	BY	-
LAST SAVED	Wednesday, November 20, 2019 8:45:33 AM BY [initials]		

PROG NAME -	MATERIAL -	FLAT - 4.029 X 120.000	BLANK -	PROG# -
----------------	---------------	---------------------------	------------	------------





PART IS SYMMETRICAL ABOUT CENTER LINE

MATERIAL: .024 ALUMINUM WITH VINYL FINISH  
(CUSTOMER SUPPLIED)

*B Emery*  
*11/20/19*

PROPRIETARY AND CONFIDENTIAL  
WARNING: The design/engineering information contained in this drawing is the exclusive property of Chicago Metal Fabricators and is protected under the copyright laws of the United States and other countries. All persons to whom this drawing is disclosed agree that they will not make any use of, or disclose to any third party this design/engineering without the express written consent of Chicago Metal Fabricators. Any unauthorized use of the design/engineering from this drawing may constitute a violation of the United States Copyright Act.

		801 Greenleaf Ave Elk Grove Village, IL 60007 Phone 847-251-3210 Fax 847-276-8376
<b>STANDARD TOLERANCES (U.N.O.)</b>		
XXX	± .015	
XX	± .030	
HOLES	± .005	
ANGLES	± 1°	
MAX BURR	.002	
** MAY BE SUPERCEDED BY CUSTOMER REQUIREMENTS **		

PART#		F-TIC 024X120 PEARL	
DESC		TYPICAL INSIDE CORNER	
PROJECT/ASSY		-	
CUST	CLAD REX	WEIGHT	4.411 lbs
CREATED	7/12/2018	BY	-
LAST SAVED	Wednesday, November 20, 2019 8:23:47 AM BY <i>krut</i>		